

# Technical data sheet



## Product features

### Multi-function fixed bratt pan electric TOP 230 V

<b>Model</b>	<b>SAP Code</b>	00006347
--------------	-----------------	----------



- Bottom thickness: 10.00
- Basin volume [l]: 6
- Usable volume [l]: 6
- Protection of controls: IPX4

<b>SAP Code</b>	00006347	<b>Loading</b>	230 V / 1N - 50 Hz
<b>Net Width [mm]</b>	538	<b>Basin volume [l]</b>	6
<b>Net Depth [mm]</b>	328	<b>Usable volume [l]</b>	6
<b>Net Height [mm]</b>	292	<b>Width of internal part [mm]</b>	530
<b>Net Weight [kg]</b>	26.00	<b>Depth of internal part [mm]</b>	320
<b>Power electric [kW]</b>	3.000	<b>Height of internal part [mm]</b>	600

# Technical data sheet



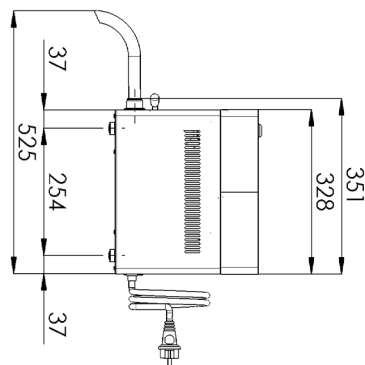
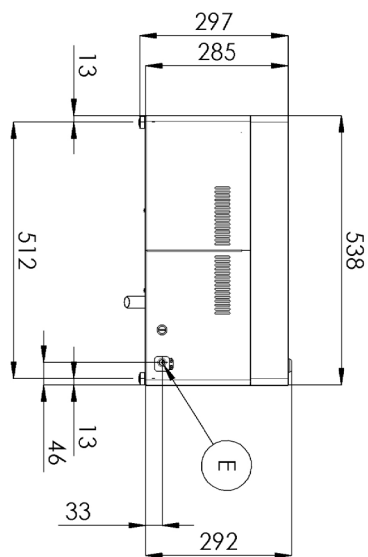
Technical drawing

Multi-function fixed bratt pan electric TOP 230 V

Model

SAP Code

00006347



### Multi-function fixed bratt pan electric TOP 230 V

Model

SAP Code

00006347

1

#### All-stainless design of the cladding except for the hotplate

long life  
resistance of a 10mm thick ground steel plate delete  
check heating operation delete easier cleaning

- savings on service interventions
- easier and faster operation

2

#### Degree of protection of the control elements IPX4

maintenance-free system  
resistance to splash water  
long life

- savings on service interventions
- easier and faster operation

3

#### The outlet on the front side is removable

the possibility of draining the oil into the prepared container and a Teflon pin in the container

- easy and safe handling better ergonomics and working conditions for the operator better use of space removability

4

#### Iron plate

long life  
resistance of a ground steel plate with a thickness of 10 mm

- faster warm-up
- toasts better than stainless steel
- food does not stick to it

# Technical data sheet



## Technical parameters

### Multi-function fixed bratt pan electric TOP 230 V

<b>Model</b>	<b>SAP Code</b>	00006347
--------------	-----------------	----------

**1. SAP Code:**

00006347

**15. Material:**

AISI 430

**2. Net Width [mm]:**

538

**16. Indicators:**

operation and warm-up

**3. Net Depth [mm]:**

328

**17. Standard equipment for device:**

teflon pin with overflow

**4. Net Height [mm]:**

292

**18. Basin volume [l]:**

6

**5. Net Weight [kg]:**

26.00

**19. Maximum device temperature [°C]:**

300

**6. Gross Width [mm]:**

670

**20. Minimum device temperature [°C]:**

50

**7. Gross depth [mm]:**

395

**21. Adjustable feet:**

Yes

**8. Gross Height [mm]:**

362

**22. Bottom thickness:**

10.00

**9. Gross Weight [kg]:**

28.00

**23. Usable volume [l]:**

6

**10. Device type:**

Electric unit

**24. Type of drain valve:**

with safety lock

**11. Construction type of device:**

Table top

**25. Drain:**

Yes

**12. Power electric [kW]:**

3.000

**26. Width of internal part [mm]:**

530

**13. Loading:**

230 V / 1N - 50 Hz

**27. Depth of internal part [mm]:**

320

**14. Protection of controls:**

IPX4

**28. Height of internal part [mm]:**

600